

ORNO

INTERPHONE SET



FOSSA
OR-DOM-RL-901



FOSSA INTERCOM
OR-DOM-RL-902



FOSSA MULTI
OR-DOM-RL-903

ORNO-LOGISTIC Sp. z o.o.

ul. Rolników 437, 44-141 Gliwice, tel. 32 43 43 110, www.orno.pl

09/2022



STOP!

Zanim przystąpisz do montażu
koniecznie przeczytaj
INSTRUKCJĘ OBSŁUGI!
Uszkodzenia wynikające z błędnego
podłączenia
**NIE PODLEGAJĄ NAPRAWIE
Z TYTUŁU GWARANCJI!**

INTRODUCTION

Before the installation and use of the device, please read this operation manual carefully. In case of any problems with understanding the manual, please contact the seller from whom you bought the device. Installation and commissioning of the equipment by the customer are possible if the installer has basic knowledge of electrical systems and the use of proper tools. Nevertheless, the device installation by qualified personnel is recommended.

The manufacturer is not liable for any damage that can result from improper installation or operation of the device. Performing repairs or modifications by the customer voids the warranty.

Since the technical data is subject to continuous modification, the manufacturer reserves the right to modify product specifications or introduce other design solutions that do not impair product performance or usability.

Additional information on ORNO products is available at: www.orno.pl. Orno-Logistic Sp. z o.o. is not liable for consequences resulting from failure to comply with the recommendations found in this manual. Orno-Logistic Sp. z o.o. reserves the right to make changes to the instruction – current version can be downloaded from support.orno.pl. Any rights to translate/construct and the copyright of this manual are reserved.

1. Disconnect the power supply before performing any activities.
2. Do not immerse the product in water or other liquids.
3. Do not operate the device with damaged housing.
4. Do not open or repair the device yourself.
5. Do not use the appliance for any other purpose than intended.

CHARACTERISTICS

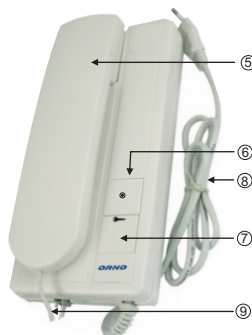
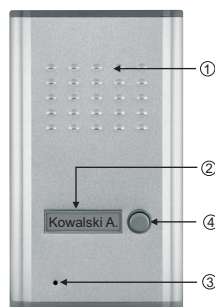
OR-DOM-RL-901 and OR-DOM-RL-902 intercoms are designed for installation in single-family buildings, while OR-DOM-RL-903 in two-family buildings.

Main features of the doorphones:

- aluminium housing of the external cassette with space for your name,
- flush-mounted,
- possibility of surface mounting after using OR-DOM-RL-901DN,
- uniphone with built-in power supply and power cord,
- no additional power supply for the electric strike.

NOTE: In the OR-DOM-RL-902 model, one uniphone has no power cord.

CONSTRUCTION



1. Loudspeaker
2. Place for name
3. Microphone
4. Call button
5. Handset
6. Intercom button (model OR-DOM-RL-902)
7. Door/wicket opening button
8. Power supply cord
9. Cable to connect the handset with the uniphone

CONNECTION DIAGRAM

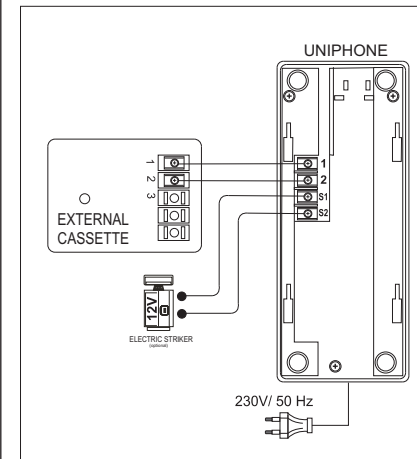


fig. 1 Connection diagram OR-DOM-RL-901

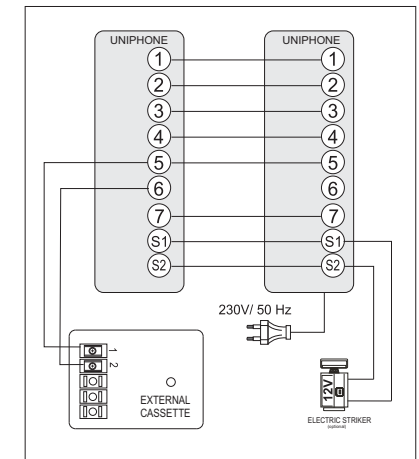


fig. 2 Connection diagram OR-DOM-RL-902

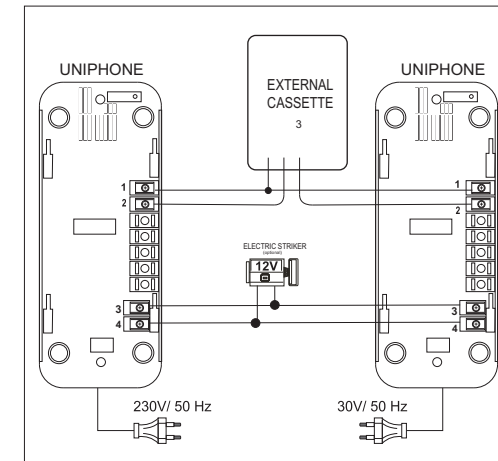


fig. 3 Connection diagram OR-DOM-RL-903

While designing the wiring system, take into account the suitable cross-section of cables:
 up to 30 m – recommended cable – XzTKMXpw 3×2×0.5 mm²
 from 30 m do 100 m – recommended cable – XzTKMXpw 3×2×0.8 mm²

Connection to the electromagnetic striker must be made with a 2×0.8 mm² cable.
 Any 12 VDC electric striker with a max current draw of 500 mA can be connected to the set.
 We do not recommend the use of twisted cables of computer type.

Cables and an electric striker are not included in the set.

OPERATION

Pressing the call button on the external unit generates a sound signal in the uniphone. Pick up the handset to start talking and open the wicket remotely by pressing the opening button on the uniphone. In the case of the OR-DOM-RL-903 model, where two uniphones are present, you will hear a ringing tone in the assigned uniphone by pressing the corresponding button on the cassette. OR-DOM-RL-902 model is additionally equipped with intercom function, which enables communication between two uniphones. To make a call from uniphone 1 to uniphone 2, pick up the handset and press the intercom button. When an internal call is made and the call button is pressed on the external cassette, you will hear a muted sound in the handset.

TECHNICAL DATA *

EXTERNAL UNIT PARAMETERS

Supply voltage	12 V from an internal module
Output voltage parameters for the electric striker	12V DC
Material type	aluminium
Installation method	flush-mounted
Working temperature	between -25°C and +50°C
Weight	0.335 kg
External dimensions (W × H × D)	116 x 200 x 54 mm
Dimensions for flush assembly (W × H × D)	100 x 165 x 40 mm

PARAMETERS OF INTERNAL MODULE – UNIPHONE

Supply voltage	230V/50Hz AC
Communication type	DUPLEX
Gong signal	generated electronically
Working temperature	between 0°C and +45°C
Weight	0.385 kg
External dimensions	98 x 215 x 68 mm

TYPE OF CONDUCTOR TO CONNECT THE KIT COMPONENTS (accessory)

Conductor to connect the external unit with the uniphone	up to 30 m 2x0.5mm ² , up to 100 m 2x0.8mm ²
Conductor to connect the external unit with the electric striker	2x0.8mm ²
Conductor to uniphones connection (model OR-DOM-RL-902)	8x0.8mm ²

* The Manufacturer holds the right to modify the specifications without notice.

Every household uses electric and electronic equipment and therefore is a potential producer of waste that is hazardous for people and the environment due to the presence of hazardous substances, mixtures, and components in the equipment. On the other hand, used equipment is a valuable source of such raw materials like copper, tin, glass, iron, etc., which can be recovered.



The symbol of a crossed litter bin placed on the equipment, its package or accompanying documents means that the product must not be discarded together with other waste. At the same time, the label indicates that the equipment has been introduced to the market after 13 August 2005.

The user is obliged to transfer the used equipment to an appointed collection point for its proper processing. Information on an available system of used electronic equipment collection can be found at the shop information desk and at the municipality/commune office.

Proper disposal of used equipment prevents negative consequences for the natural environment and human health!

Netweight: OR-DOM-RL-901 - 0,92 kg, OR-DOM-RL-902 - 1,54 kg, OR-DOM-RL-903 - 1,30 kg