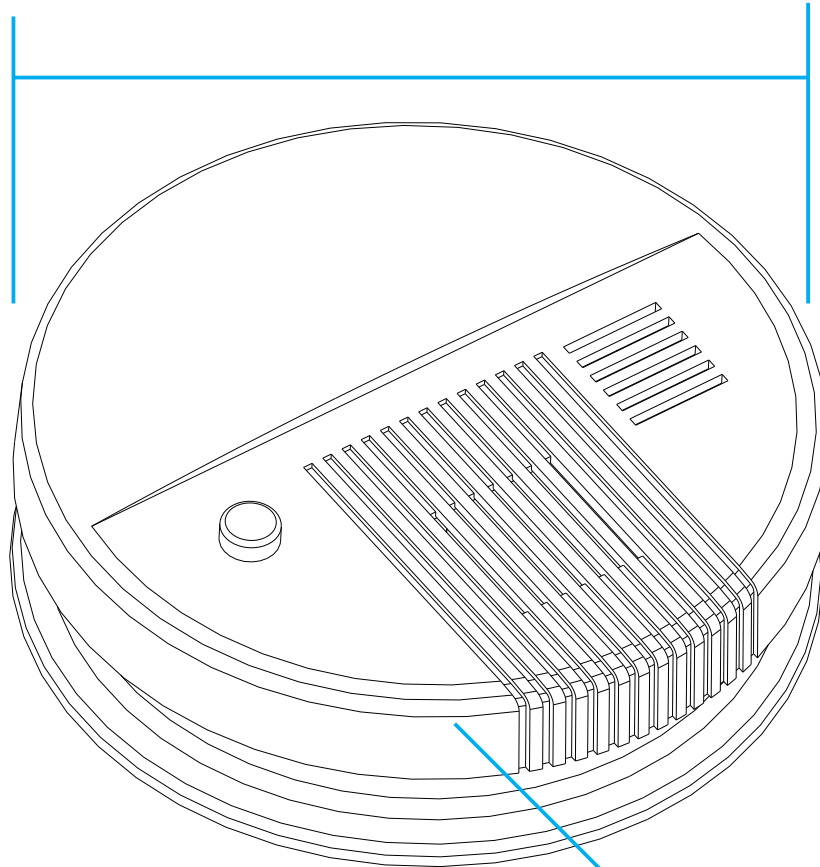


132.2 mm



40.5 mm